

LIVE

Guy Bonneville

BLAM

DRIVEN BY PASSION

165 MULTIX L

Woofer

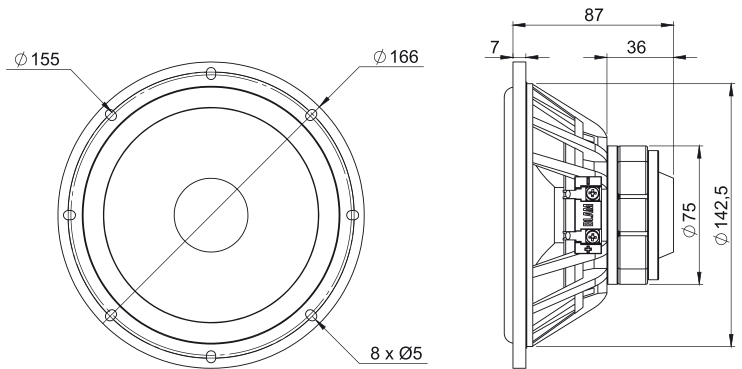
- Woofer 6-1/2 " (165 mm)
- Max power 300 W / Nom. power 150 W
- Frequency response 55 Hz - 12 KHz
- Sensibility 93 dB - Impedance 3 Ohms

Die cast and machined aluminium basket - Ultra rigid carbon fiber cone - IIR surround - Long life « conex » spider - 34 mm Voice Coil, fiber glass former - Ultra powerful assembly magnet with 8 hi grade neodymium quality magnet - Precision machined pole piece and T yoke: T yoke equipped with a copper ring which limits the creation of « Foucault » current - Gold-plated terminal.

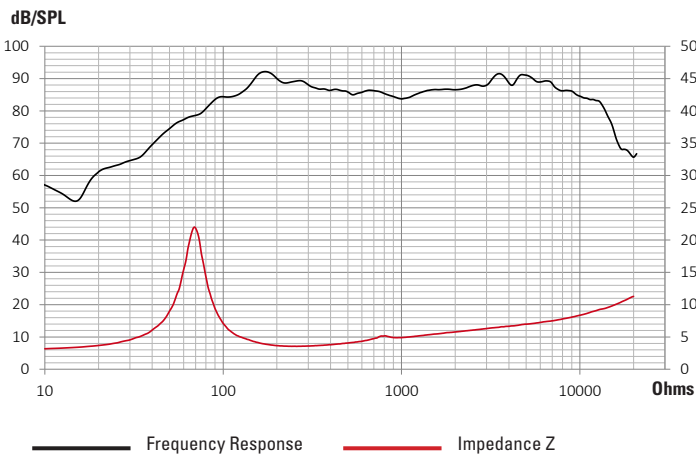


TECHNICAL SPECIFICATIONS

Component	Woofer	
Max power	300 W	
Nominal power	150 W	
Impedance	3 Ω	
Freq. Response	55 Hz - 12 KHz	
Sensitivity	93 dB/SPL	
Magnet	Neodymium	
Magnet size Ø x h	8 x 18 x 16 mm	0,709 "x 0,630 "
Total driver displacement	0,3 l	0,011 cf
Weight of one component	1 kg	2,205 lb
Voice coil Ø	34 mm	1,34"
Voice coil height	16 mm	0,59"
Cone	Carbone fiber	



FREQUENCY RESPONSE / IMPEDANCE



THIELE-SMALL PARAMETERS

effective Ø (d)	128 mm
Sd	128,68 cm ²
Xmax	5 mm
Re	3 Ω
Fs	68,82 Hz
Le	65,56 µH @ 1 kHz
Le	374,90 µH @10 kHz
Vas	8,19 L
Mms	15,19 g
Cms	0,000352 m/N
BL	5,83 Tm
Qts	0,50
Qes	0,58
Qms	3,70
Spl	93 dB