

RELAX

Guy Bonneville

BLAM

DRIVEN BY PASSION

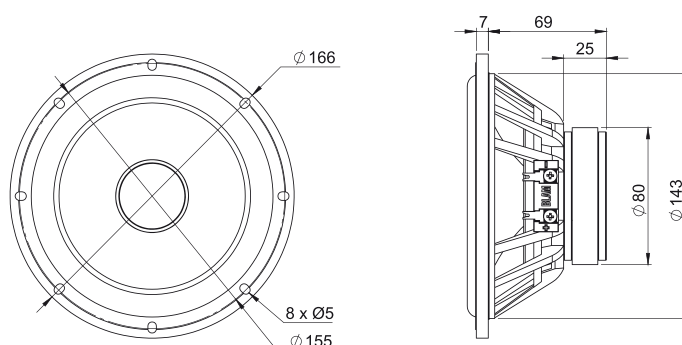
165 RSQ

speaker

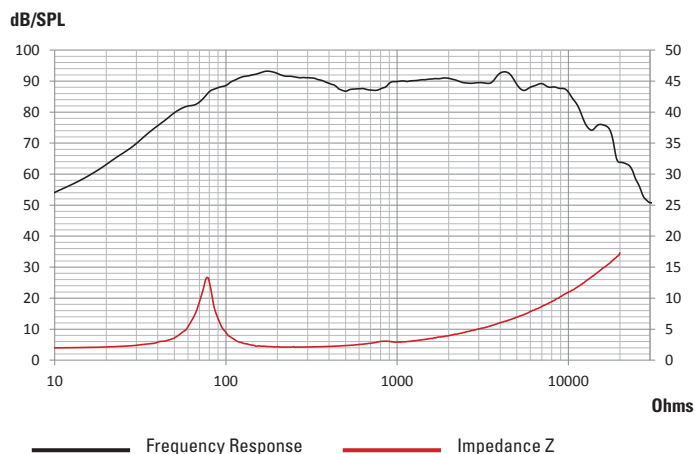
- Woofer 6-1/2" (165 mm)
- Max power 120 W / Nom. power 60 W
- Frequency response 56 Hz - 10 KHz
- Impedance 2 Ohms

TECHNICAL SPECIFICATIONS

Component	Speaker	
Max power	100 W	
Nominal power	50 W	
Impedance	2 Ω	
Freq. Response	56 Hz - 10 KHz	
Sensitivity (2,83V/1m)	94,7 dB	
Magnet	Ferrite	
Magnet size Ø x h	80 x 15 mm	3,150" x 0,591"
Total driver displacement	0,3 l	0,011 cf
Weight of one component	0,922 kg	2,033 lb
Voice coil Ø	28 mm	1,102"
Voice coil height	11 mm	0,433"



FREQUENCY RESPONSE / IMPEDANCE



THIELE-SMALL PARAMETERS

effective Ø (d)	128 mm
Sd	128,68 cm ²
Xmax	3 mm
Re	2 Ω
Fs	77,10 Hz
Le	100,29 µH @ 1 kHz
L2	169,13 µH @10 kHz
Vas	9,03 L
Mms	10,98 g
Cms	0,000388 m/N
BL	3,52 Tm
Qts	0,73
Qes	0,86
Qms	4,86
Sensitivity (dB/W/m)	88,7 dB